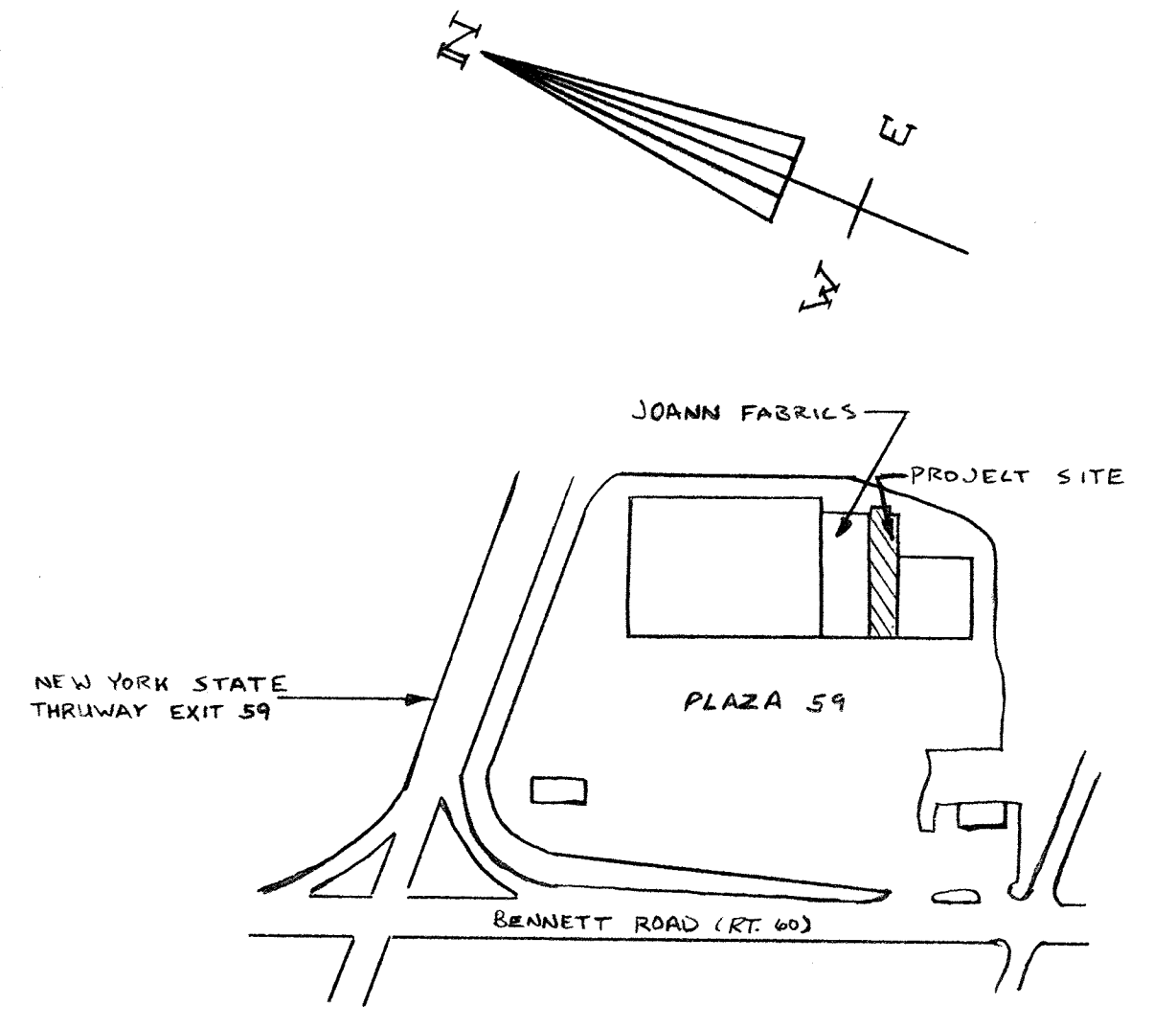
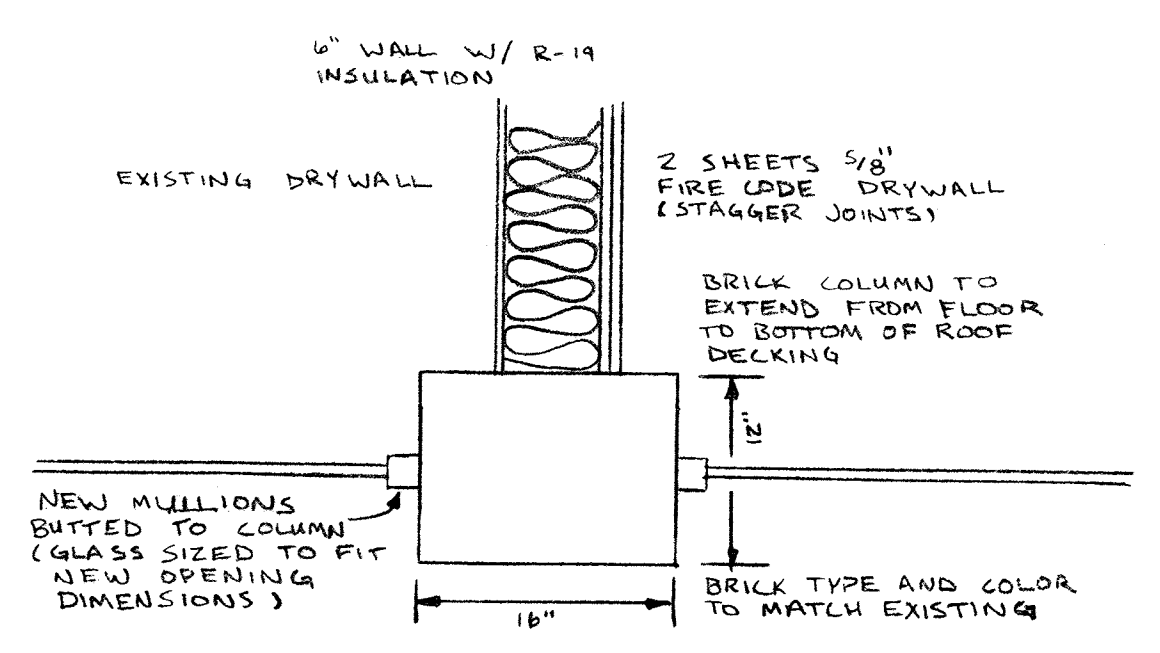


SECTION A-A
1" = 1'-0"



SITE LOCATION
NO SCALE



DETAIL B-B
1" = 1'-0"

- NOTES:
1. AREA OF PROPOSED RESTAURANT: 5191 SF ±
 2. AREA SURRENDERED BY JOANN FABRICS: 1913 SF ±

DESIGN OF DEMISING WALL PREPARED FOR
NATIONAL REALTY DEVELOPMENT CORP.
PLAZA 59
BENNETT ROAD
TOWN OF DUNKIRK
CHAUTAUQUA COUNTY - NEW YORK
BEING PART OF LOT NOS. 3 & 10, TOWNSHIP 6 & RANGE 12
OF THE HOLLAND LAND COMPANY'S SURVEY

PREPARED BY THE OFFICE OF:
ABATE ENGINEERING ASSOCIATES, P.C.
JEROME E. ERICKSON, P.E. & L.L.S.
JEFFREY E. GOSSETT, L.L.S.
336 E. 5th ST., P.O. BOX 3008
JAMESTOWN, NEW YORK 14702-3008
TELEPHONE: 716-488-2803
FAX NO.: 716-488-2802
JOB NO.: 12-90-3D/00392
SCALE: AS SHOWN

