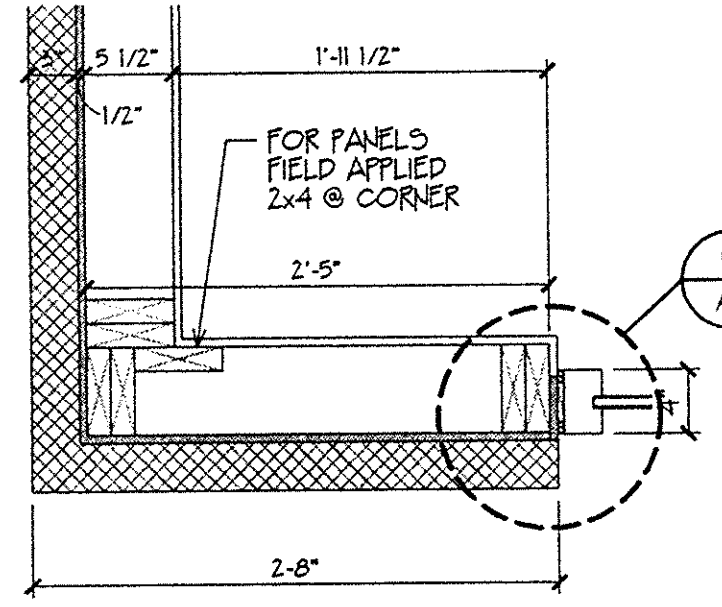


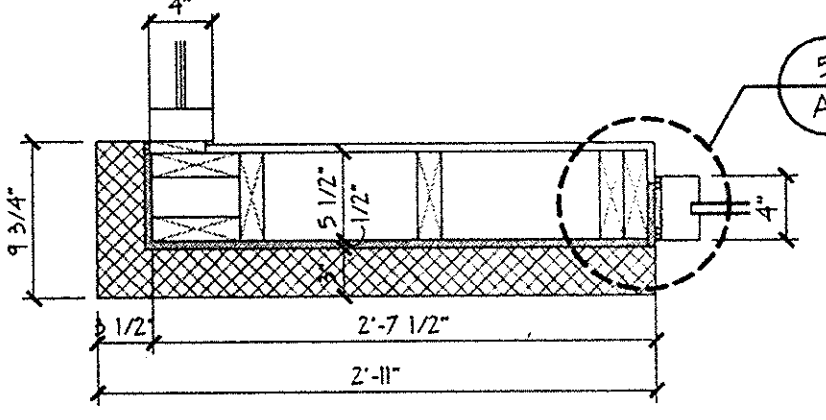
6 RAILING DETAIL
SCALE 3/4" = 1'-0"

1 FLOOR PLAN
SCALE 1/4" = 1'-0"

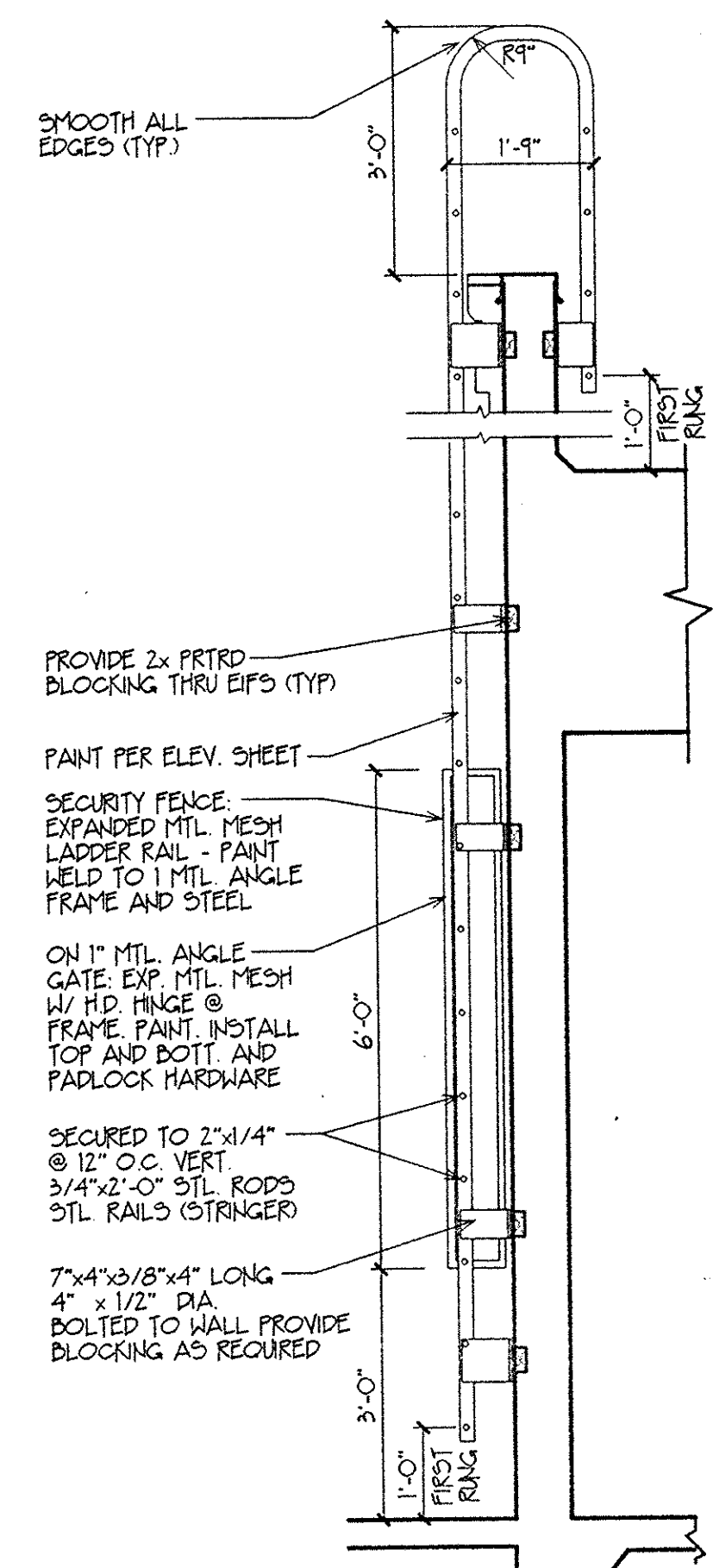
NOTE: EXTERIOR DIMENSIONS ARE TO FINISH FACE OF EIFS. SEE DETAIL 5/A1 BELOW. INTERIOR DIMENSIONS ARE TO FINISH FACE OF G.W.D. SEE SHT. A81 FOR WALL TYPES.



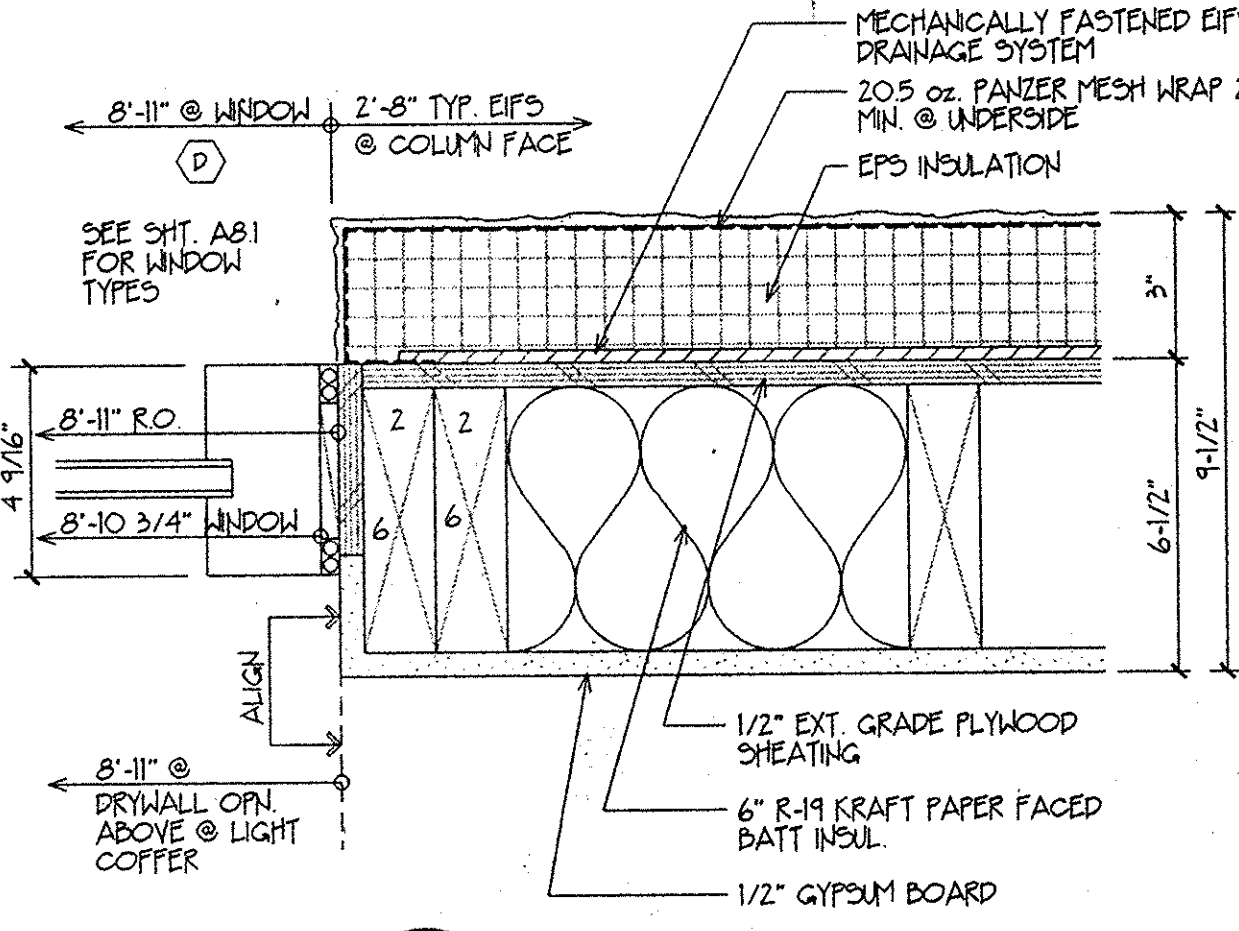
2 DETAIL
SCALE 1" = 1'-0"



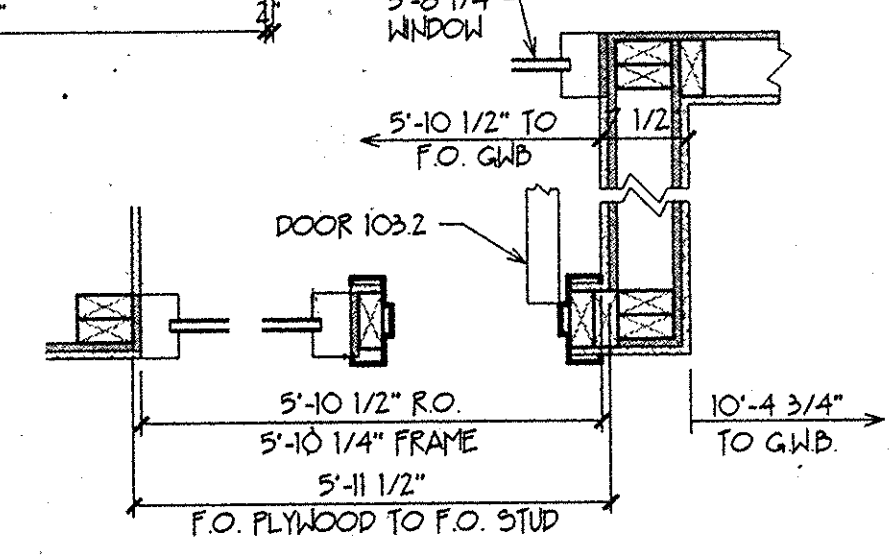
3 DETAIL
SCALE 1" = 1'-0"



4 ROOF LADDER DETAIL
SCALE 1/2" = 1'-0"



5 DETAIL
SCALE 3/4" = 1'-0"



7 DETAIL
SCALE 1" = 1'-0"

FLOOR PLAN NOTES

- 1 THREE COMPARTMENT SINK & ALL STAINLESS STEEL KITCHEN AND HAND SINKS & FAUCETS FOR BOTH, SUPPLIED BY K.E.C.
- 2 1 1/2" X 1 1/2" EX. HD FRP CORNER GUARD (TYP) SEE SPEC. FULL HEIGHT IN KITCHEN AREAS. TYP. ALL OUTSIDE CORNERS. 2'-10 3/4" H. IN MAIN DINING.
- 3 PROVIDE CHASE IN WALL FOR FROZEN BEVERAGE MACHINE.
- 4 G.C. SHALL INSTALL INTERIOR MENU BOARDS & WALL ART.
- 5 ROOF LADDER SEE DETAIL 4/A1
- 6 FRP WRAPPED LOW WALL @ 24" AFF. @ MOP SINK. SEE PARTITION TYPE 7
- 6A FRP WRAPPED LOW WALL @ 36" AFF. @ WINDOW. SEE PARTITION TYPE 8
- 7 STAINLESS STEEL WALL PANEL (SEE SPEC.) ON WALL BELOW FRYERS. ON REAR & SIDE WALL BEHIND OVENS. PROVIDED & INSTALLED BY KES.
- 8 FE-1 SEM-RECESSED FIRE EXTINGUISHER & CABINET. SEE SPECS.
- 9 FE-2 WALL MOUNTED FIRE EXTINGUISHER. SEE SPECS.
- 10 DO NOT ANCHOR TRASH UNITS TO FLOORS OR WALLS.

ROOM FINISH SCHEDULE

ROOM NO.	ROOM NAME	FLOOR	BASE	WALLS	CEILING	CEILING HEIGHT	REMARKS
101	DINING ROOM	PT 1, 2	PTBI	VM-1M-1	PT-1 GYP/ACT 1	VARIES	SEE RCP
102	VESTIBULE	PT 1, 2	PTBI	VM-1M-1	ACT 1	9'-6"	
103	VESTIBULE	PT 1, 2	PTBI	VM-1M-1	ACT 1	9'-6"	
104	CORRIDOR	PT 1, 2	PTBI	VM-1M-1	ACT 1	9'-6"	
105	WOMEN	OT 1	OTBI	M-2	ACT 2	8'-0"	
106	MEN	OT 1	OTBI	M-2	ACT 2	8'-0"	
107	QUEUE	PT 1, 2	PTBI	VM-1M-1	PT-1 GYP/ACT 1	VARIES	SEE RCP
108	KITCHEN	OT 1	OTBI	M-2	ACT 2	9'-0"	
109	OFFICE	OT 1	OTBI	M-2	ACT 2	9'-0"	
110	DRY SUPPLIES	COOLER FLR	---	CLR. WALLS	COOLER CLG	---	BY COOLER MANUF.
111	FREEZER	COOLER FLR	---	CLR. WALLS	COOLER CLG	---	BY COOLER MANUF.
112	COOLER	COOLER FLR	---	CLR. WALLS	COOLER CLG	---	BY COOLER MANUF.
113	SERVICE	OT 1	OTBI	M-2	ACT 2	9'-6"	SEE RCP
114	PREF KITCHEN	OT 1	OTBI	M-2	ACT 2	9'-0"	

NOTE: 1. ALL EXTERIOR METERS/PANELS/TRANSFORMERS TO BE PAINTED.

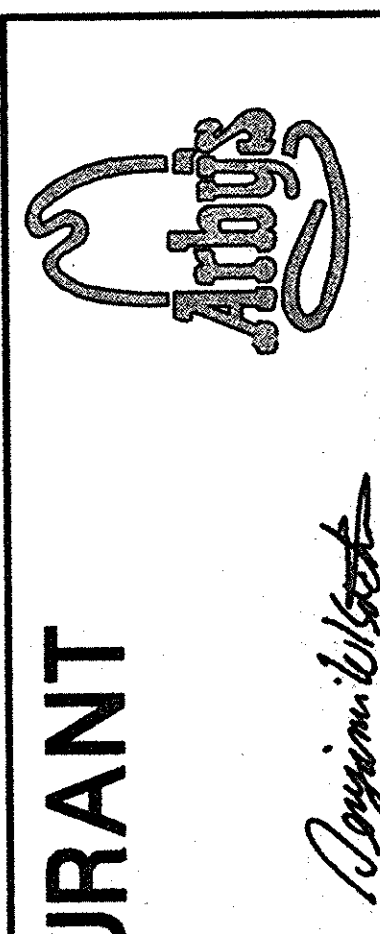
ABBREVIATIONS:
 PT PORCELAIN TILE
 PTD PORCELAIN TILE BASE
 VM WALL COVERING
 M MARBLE/MANSCOT PANEL
 GYP GYPSUM WALLBOARD
 ACT ACOUSTICAL CEILING TILE
 FRP FIBER REINF. PLASTIC PANEL
 OT QUARRY TILE
 OTD QUARRY TILE BASE

- OWNER SUPPLIED ITEMS**
- GENERAL CONTRACTOR SHALL BE RESPONSIBLE FOR SCHEDULING THE TIMELY DELIVERY & INSTALLATION OF ALL OWNER SUPPLIED ITEMS. LISTED BELOW ARE THE ITEMS SUPPLIED BY THE OWNER AND THE VENDOR NAME & PHONE NUMBER. CONTACT SYBRA REP. TO VERIFY VENDOR NAME.
1. LIGHTING FIXTURES, J.P.R. GROUP (800) 769-1577
 2. MIRRORS
 3. KITCHEN EQUIPMENT
 4. KITCHEN HOODS & FANS
 5. DINING ROOM FLOOR TILE (ONLY), RAI-VEE (800) 380-0000
 6. SOUND SYSTEM
 7. SECURITY SYSTEM
 8. STORAGE
 9. INTERIOR/EXTERIOR MENU BOARDS
 10. FURNITURE PACKAGE
 11. MILLWORK PACKAGE WISKO, INC. (610) 696-5756
 12. EXTERIOR WALK-IN COOLER UNIT T.C.S. (888) 835-0001
- * ITEMS TO BE INSTALLED BY OWNER'S VENDOR
- THE FOLLOWING ITEMS ARE PURCHASED BY CONTRACTOR FROM OWNER'S VENDOR AT PRE-ESTABLISHED PRICE:
13. ALUMINUM STOREFRONT, Y.K.K. AP AMERICA (NATIONAL ACCOUNT) (404) 629-3800
 14. HVAC UNITS & ACCESSORIES, CARRIER CORP. (NATIONAL ACCOUNT OFFICE) (973) 227-4311
 15. BUILDING PANELS & TRUSSES, U.S. COMPONENTS (609) 767-3153

KITCHEN & ASSOCIATES ARCHITECTURAL SERVICES, P.A.
 1725 Pine Street
 Philadelphia, Pennsylvania 19103
 215.985.0111 Fax: 215.985.1888

Date	Scale	Revision	Drawn	Date
7/19/99	AS NOTED		9819.12	

9811912.pj/drawings.db



ARBYS RESTAURANT
 84 Seat Dining Room
 MANSFIELD COMMONS
 MANSFIELD TWP., NEW JERSEY
 Prepared for SYBRA, INC.

1996 NSPC
A1
 PROPOSED 84 SEAT FLOOR PLAN